

# Key dimensions and material information

## BI300 Implants & BA400 Abutments

All sterile products are for single use only.

**Implants:** The BI300 Implants and BA400 Abutments are made of commercially pure grade 1 to 4 unalloyed titanium (ASTM standard F-67) which has the following chemical composition.

Element	Nitrogen (N)	Carbon (C)	Hydrogen (H)	Iron (Fe)	Oxygen (O)	Titanium (Ti)
Composition % by weight	max 0.03	max 0.08	max 0.015	max 0.20	max 0.40	Balance

The abutment screw is made of titanium alloy, grade 5 (ASTM standard F-136).

**Abutments:** The BA400 Abutments are coated with a hydroxyapatite layer,  $\text{Ca}_5(\text{PO}_4)_3(\text{OH})$  according to ISO 13779-2. The coating is applied by a plasma-spray technique and has a mean thickness of approximately  $80\mu\text{m}$ . The surface roughness ( $R_a$ ) is approximately  $7\mu\text{m}$ .

**Drills:** All drills are made of hardened stainless steel (WS 1.4197). The spacer on the Conical guide drill 3+4 mm is made of Celanex 2401 MT.



**NOTE:**

*Images are not to scale.*



93329  
BIA400 Implant 4mm with  
Abutment 6mm  
Weight: 0.7 g



93330  
BIA400 Implant 4mm with  
Abutment 8mm  
Weight: 0.9 g



93331  
BIA400 Implant 4mm with  
Abutment 10mm  
Weight: 1.3 g



93332  
BIA400 Implant 4mm with  
Abutment 12mm  
Weight: 1.5 g



93333  
BA400 Abutment 6mm  
Weight: 0.5 g



93334  
BA400 Abutment 8mm  
Weight: 0.7 g



93335  
BA400 Abutment 10mm  
Weight: 1.0 g



93336  
BA400 Abutment 12mm  
Weight: 1.3 g

\*This distance is from bone level (under flange) to the top of the abutment



**NOTE:**

*Images are not to scale.*



92128  
BI300 Implant 3mm  
Weight: 0.19 g



92129  
BI300 Implant 4mm  
Weight: 0.26 g



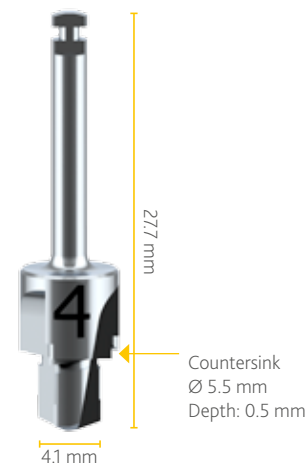
92136  
Cover screw conical  
Weight: 0.04 g



92139  
Guide drill 3+4 mm  
Ø 2.3 mm  
Weight: 1.1 g



92140  
Widening drill 3mm  
with countersink  
Weight: 1.7 g



92141  
Widening drill 4mm  
with countersink  
Weight: 1.8 g

**Manufacturer:**  
Cochlear Bone Anchored Solutions AB Konstruktionsvägen 14, SE - 435 33 Mölnlycke, Sweden Tel: +46 31 792 44 00 Fax: +46 31 792 46 95

**Regional offices:**  
Cochlear Ltd (ABN 96 002 618 073) 1 University Avenue, Macquarie University NSW 2109, Australia Tel: +61 2 9428 6555 Fax: +61 2 9428 6352  
Cochlear Americas 13059 E Peakview Avenue, Centennial, CO 80111, USA Tel: +1 303 790 9010 Fax: +1 303 792 9025  
Cochlear AG EMEA Headquarters, Peter Merian-Weg 4, 4052 Basel, Switzerland Tel: +41 61 205 0404 Fax: +41 61 205 0405

[www.cochlear.com](http://www.cochlear.com)

Ardium, Baha, Baha Divino, Baha Intenso, Baha PureSound, Baha SoftWear, DermaLock, Vistafix and WindShield are either trademarks or registered trademarks of Cochlear Bone Anchored Solutions AB. Cochlear, Hear now. And always and the elliptical logo are either trademarks or registered trademarks of Cochlear Limited. © Cochlear Bone Anchored Solutions AB 2014. All rights reserved. JAN14. Printed in Sweden. E82458A

Hear now. And always

