

# Nucleus<sup>®</sup> 7 Hybrid<sup>™</sup>

User Guide



CPI1000

*Hear now. And always*



This guide is intended for Cochlear implant recipients and their carers, who use their Cochlear™ Nucleus® 7 Sound Processor in Hybrid™ mode.

People with certain types of hearing loss can wear the processor in Hybrid mode by adding a Hybrid system which sends amplified acoustic sound into the ear canal.



#### NOTES

- Please also refer to your *Important Information* document for essential advice that applies to Cochlear implant systems.
- Refer to the Warnings section for warnings relating to the use of the Hybrid system.

For more information, refer to the *Nucleus 7 Sound Processor User Guide*.

## Symbols used in this guide



#### NOTE

Important information or advice.



#### TIP

Time saving hint.



#### CAUTION (no harm)

Special care to be taken to ensure safety and effectiveness. Could cause damage to equipment.



#### WARNING (harmful)

Potential safety hazards and serious adverse reactions. Could cause harm to person.

# Contents

## About

|                                   |   |
|-----------------------------------|---|
| Hybrid mode explained . . . . .   | 2 |
| Nucleus 7 Hybrid system . . . . . | 3 |

## Wear

|                                  |   |
|----------------------------------|---|
| Wear the Hybrid system . . . . . | 4 |
|----------------------------------|---|

## Care

|  |   |
|--|---|
| Care for your Hybrid system . . . . .        | 5 |
| Change the dome . . . . .                    | 6 |
| Change the speaker unit wax filter . . . . . | 7 |

|                        |   |
|------------------------|---|
| Troubleshoot . . . . . | 8 |
|------------------------|---|

|                    |    |
|--------------------|----|
| Warnings . . . . . | 10 |
|--------------------|----|

|                                 |    |
|---------------------------------|----|
| For parents and carers. . . . . | 10 |
| Hybrid system . . . . .         | 10 |

|                             |    |
|-----------------------------|----|
| Other information . . . . . | 11 |
|-----------------------------|----|

## Hybrid mode explained

Hybrid mode may benefit Cochlear implant recipients who have some residual hearing, by providing amplified sound (like a hearing aid).

In Hybrid mode, your Nucleus 7 Sound Processor delivers two types of sound signals:

- the usual electric signals to the Cochlear implant
- extra acoustic signals to the Hybrid system.

## Nucleus 7 Hybrid system

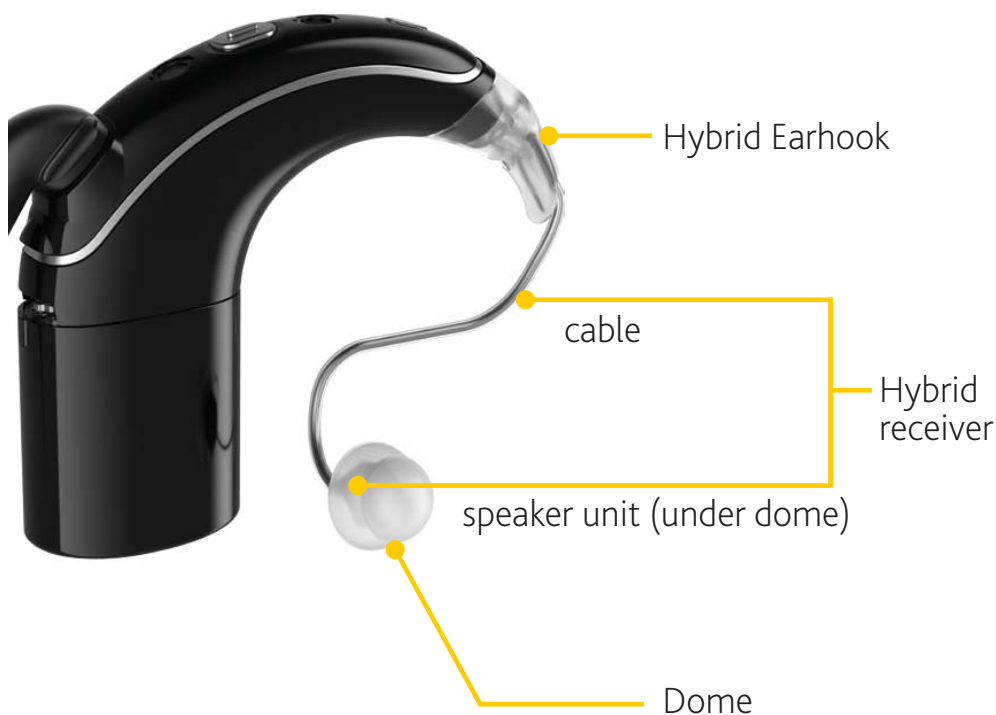
The Nucleus 7 Hybrid system is made up of:

- The Cochlear **Hybrid Earhook**—replaces your normal earhook, and connects the Cochlear Hybrid Receiver to your sound processor.
- The Cochlear **Hybrid Receiver**—a cable with a speaker unit that fits in your ear. It has a replaceable wax filter.
- A **dome**—fits over the speaker unit to hold it in place and protect your ear. It is disposable and has a built-in wax filter.



### CAUTIONS

- Your clinician will select the receiver and dome that you should use. Do not substitute any other parts.
- Your clinician will attach and remove the receiver for you. Do not attempt to do this yourself.



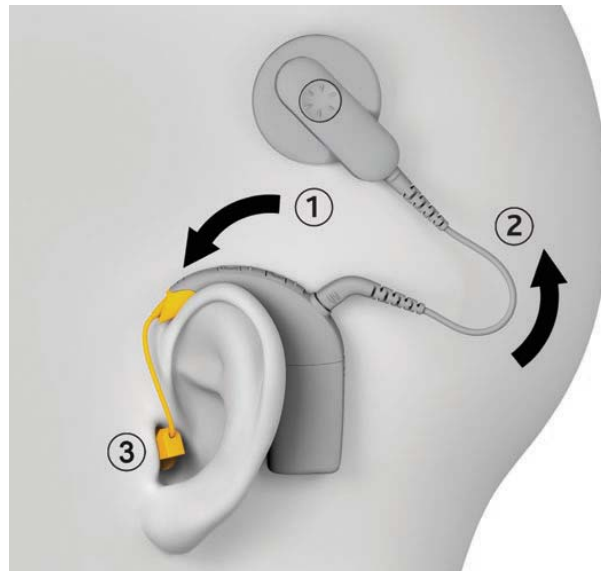
## Wear the Hybrid system



### CAUTIONS

- Recipients or carers should not fit the Hybrid system to the sound processor, or remove it. This should only be done by your clinician.
- Keep the Hybrid receiver away from the coil magnet.
- Do not twist the receiver cable.

1. Hold the coil in one hand and place the sound processor on your ear with the other.
2. Place the coil on your head.



3. Place your dome in your ear as instructed by your clinician.
4. When removing your coil and sound processor, remove your dome from your ear as instructed by your clinician.

# Care for your Hybrid system



## NOTE

Your Nucleus 7 Hybrid system is not compatible with any parts that can be used with Freedom, CP800 Series or CP900 Series Sound Processors (e.g. domes, earmoulds, receivers or earhook).



## CAUTIONS

- Handle and store the Hybrid system very carefully.
- Do not drop the Hybrid system.

The Nucleus 7 Hybrid system provides the benefit of two wax filters:

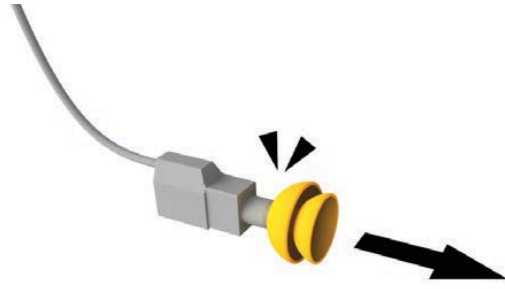
1. An in-built wax filter in the disposable dome.
2. A replaceable wax filter fitted in the receiver's speaker unit.

## Every day

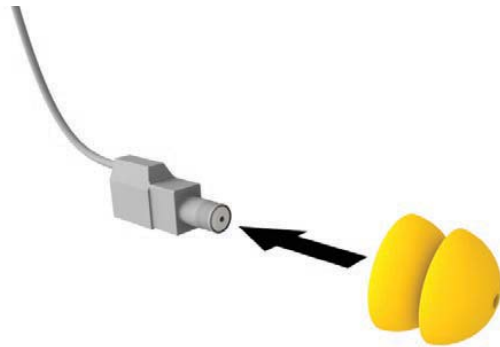
- Check the dome and its filter. Change the dome whenever its filter is clogged with wax, or whenever the dome is dirty, discoloured or losing shape.
- When changing the dome, also check the wax filter in the speaker unit. Change the speaker unit filter whenever it is clogged with wax or if the sound from the speaker unit does not sound normal.

## Change the dome

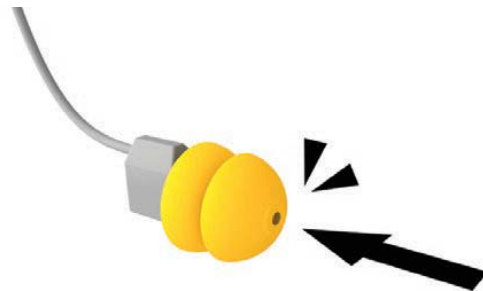
1. Pull the dome off, using your fingernails if necessary, and discard.



2. Push the new dome directly onto the speaker unit.



3. Click it securely into place.





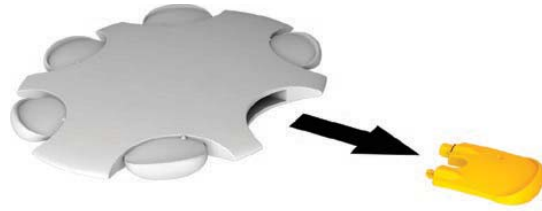
# Change the speaker unit wax filter



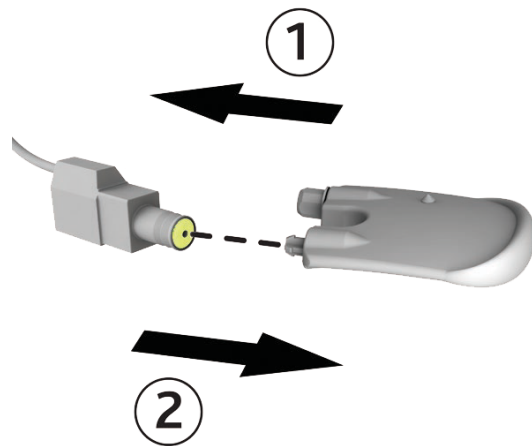
## CAUTION

Wax filters must ALWAYS be used with the Hybrid system and replaced regularly.

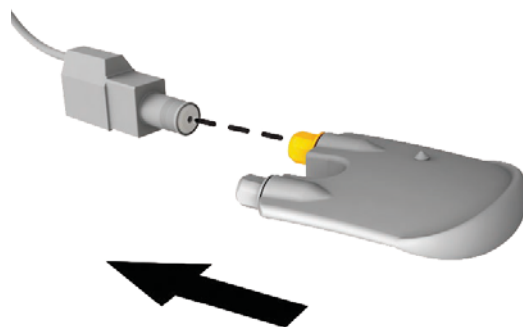
1. Remove a new ProWax tool from its shell. One point on the tool has a removal tool and the other point has the new filter.



2. Insert the removal tool into the existing wax filter and gently move the filter from side to side and remove it from the speaker unit.



3. Push the new filter into the speaker unit.



4. Dispose of the tool and used wax filter.

# Troubleshoot

| PROBLEM   | RESOLUTION   |
|---|--|
| <b>You do not hear sound through the Hybrid system</b>        | <ol style="list-style-type: none"><li>1. Change the sound processor batteries.</li><li>2. Check your dome. If there is wax buildup, change the dome. See <i>Care for your Hybrid system</i> on page 5.</li><li>3. Check your speaker unit wax filter. If there is wax buildup, change the filter. See <i>Care for your Hybrid system</i> on page 5.</li><li>4. Check that the receiver is properly connected to your sound processor.</li><li>5. If the problem continues, contact your clinician.</li></ol> |
| <b>You experience discomfort when using the Hybrid system</b> | <ol style="list-style-type: none"><li>1. Check that your dome is properly fitted to the speaker unit.</li><li>2. If the problem continues, contact your clinician.</li></ol>   |

| PROBLEM   | RESOLUTION   |
|---|--|
| <b>You hear intermittent or distorted sound, or sound is too soft</b> | <ol style="list-style-type: none"> <li>1. Check that your dome is properly fitted to the speaker unit.</li> <li>2. Check that the receiver is properly connected to your sound processor.</li> <li>3. Check your dome. If there is wax buildup, change the dome. See <i>Care for your Hybrid system</i> on page 5.</li> <li>4. Check your speaker unit wax filter. If there is wax buildup, change the filter. See <i>Care for your Hybrid system</i> on page 5.</li> <li>5. Your receiver cable may be too long or too short. If in doubt, contact your clinician.</li> <li>6. Your dome may be the wrong type or the wrong size. If in doubt, contact your clinician.</li> <li>7. If the problem continues, contact your clinician.</li> </ol> |
| <b>Sound is too loud</b>  | <ol style="list-style-type: none"> <li>1. Remove the processor and coil from your head immediately and contact your clinician.</li> </ol>  |

# Warnings

## For parents and carers

- Contact your clinician for advice on choosing the most suitable Hybrid system for children.
- Do not allow children to replace a Hybrid system.
- Keep all parts of the Hybrid system out of reach of children. Removable parts (e.g. domes and wax management systems) can be lost or may be a choking hazard.
- Carers should routinely check for signs of discomfort. See your clinician if you are concerned that the Hybrid system is not working at a comfortable sound level.

## Hybrid system

- Refit and replace domes regularly to ensure optimal fitting and retention. Consult your clinician for advice on Hybrid system misfits or signs of discomfort.
- Remove your sound processor if there is any discomfort or pain (e.g. sound level is uncomfortably loud) and inform your clinician.
- If the dome is not securely attached to your Hybrid system, it could fall off in your ear canal. If this happens, see your medical practitioner.

# Other information

## Materials

- Hybrid Earhook is made from polyamide (PA) and liquid silicone rubber (LSR).
- Receiver cable outer sheathing is made from polyamide.
- Domes are made of silicone.

## Certification

The Nucleus 7 Sound Processor fulfils the essential requirements listed in Annex 1 of the EC directive 90/385/EEC on Active Implantable Medical Devices as per the conformity assessment procedure in Annex 2.



The year in which authorisation to affix the CE mark was granted was 2017.

## Equipment classification

The sound processor is internally powered equipment Type B applied part as described in the international standard IEC 60601-1:2005/A1:2012, Medical Electrical Equipment – Part 1: General Requirements for Basic Safety and Essential Performance.

## Legal statement

The statements made in this guide are believed to be true and correct as of the date of publication. However, specifications are subject to change without notice.

© Cochlear Limited 2017



# Hear now. And always

**Cochlear Ltd** (ABN 96 002 618 073) 1 University Avenue, Macquarie University, NSW 2109, Australia  
Tel: +61 2 9428 6555 Fax: +61 2 9428 6352

**Cochlear Ltd** (ABN 96 002 618 073) 14 Mars Road, Lane Cove, NSW 2066, Australia  
Tel: +61 2 9428 6555 Fax: +61 2 9428 6352

**ECIREP Cochlear Deutschland GmbH & Co. KG** Karl-Wiechert-Allee 76A, 30625 Hannover, Germany  
Tel: +49 511 542 770 Fax: +49 511 542 7770

**Cochlear Americas** 13059 E Peakview Avenue, Centennial, CO 80111, USA  
Tel: +1 303 790 9010 Fax: +1 303 792 9025

**Cochlear Canada Inc** 2500-120 Adelaide Street West, Toronto, ON M5H 1T1, Canada  
Tel: +1 416 972 5082 Fax: +1 416 972 5083

**Cochlear AG** EMEA Headquarters, Peter Merian-Weg 4, 4052 Basel, Switzerland  
Tel: +41 61 205 8204 Fax: +41 61 205 8205

**Cochlear Europe Ltd** 6 Dashwood Lang Road, Bourne Business Park, Addlestone, Surrey KT15 2HJ, United Kingdom  
Tel: +44 1932 26 3400 Fax: +44 1932 26 3426

**Cochlear Benelux NV** Schaliënhoeverdreef 20 i, B-2800 Mechelen, Belgium  
Tel: +32 15 79 55 11 Fax: +32 15 79 55 70

**Cochlear France S.A.S.** 135 Route de Saint-Simon, 31035 Toulouse, France  
Tel: +33 5 34 63 85 85 (International) or 0805 200 016 (National) Fax: +33 5 34 63 85 80

**Cochlear Italia S.r.l.** Via Larga 33, 40138 Bologna, Italy  
Tel: +39 051 601 53 11 Fax: +39 051 39 20 62

**Cochlear Nordic AB** Konstruktionsvägen 14, 435 33 Mölnlycke, Sweden  
Tel: +46 31 335 14 61 Fax: +46 31 335 14 60

**Cochlear Tıbbi Cihazlar ve Sağlık Hizmetleri Ltd. Şti.**  
Çubuklu Mah. Boğaziçi Cad., Boğaziçi Plaza No: 6/1, Kavacık, TR-34805 Beykoz-Istanbul, Turkey  
Tel: +90 216 538 5900 Fax: +90 216 538 5919

**Cochlear (HK) Limited** Room 1204, 12/F, CRE Building, No 303 Hennessy Road, Wanchai, Hong Kong SAR  
Tel: +852 2530 5773 Fax: +852 2530 5183

**Cochlear Korea Ltd** 1st floor, Cheongwon Building 33, Teheran-ro 8 gil, Gangnam-gu, Seoul, Korea  
Tel: +82 2 533 4450 Fax: +82 2 533 8408

**Cochlear Medical Device (Beijing) Co., Ltd**  
Unit 2208-2212, Tower B, Gemdale Building, 91 Jianguo Road, Chaoyang District, Beijing 100022, P.R. China  
Tel: +86 10 5909 7800 Fax: +86 10 5909 7900

**Cochlear Medical Device Company India Pvt. Ltd.**  
Ground Floor, Platina Building, Plot No C-59, G-Block, Bandra Kurla Complex, Bandra (E), Mumbai – 400 051, India  
Tel: +91 22 6112 1111 Fax: +91 22 6112 1100

**株式会社日本コクレア (Nihon Cochlear Co Ltd)** 〒113-0033 東京都文京区本郷2-3-7 お茶の水元町ビル  
Tel: +81 3 3817 0241 Fax: +81 3 3817 0245

**Cochlear Middle East FZ-LLC**  
Dubai Healthcare City, Al Razi Building 64, Block A, Ground Floor, Offices IR1 and IR2, Dubai, United Arab Emirates  
Tel: +971 4 818 4400 Fax: +971 4 361 8925

**Cochlear Latinoamérica S.A.**  
International Business Park, Building 3835, Office 403, Panama Pacifico, Panama  
Tel: +507 830 6220 Fax: +507 830 6218

**Cochlear NZ Limited**  
Level 4, Takapuna Towers, 19-21 Como St, Takapuna, Auckland 0622, New Zealand  
Tel: + 64 9 914 1983 Fax: 0800 886 036

[www.cochlear.com](http://www.cochlear.com)

ACE, Advance Off-Stylet, AOS, AutoNRT, Autosensitivity, Beam, Button, Carina, Cochlear, コクレア, Codacs, Contour, Contour Advance, Custom Sound, ESPrit, Freedom, Hear now. And always, Hugfit, Hybrid, inHear, Invisible Hearing, Kanso, MET, MP3000, myCochlear, NRT, Nucleus, 科利耳, Off-Stylet, Slimline, SmartSound, Softip, SoftWear, SPrint, True Wireless, the elliptical logo and Whisper are either trademarks or registered trademarks of Cochlear Limited. Ardium, Baha, Baha SoftWear, BCDrive, DermaLock, EveryWear, Vistafix and WindShield are either trademarks or registered trademarks of Cochlear Bone Anchored Solutions AB. Bluetooth is a registered trademark of Bluetooth SIG.

© Cochlear Limited 2017

D778096 ISS1 JAN17

